

Popeze® PopBlock Sailboat

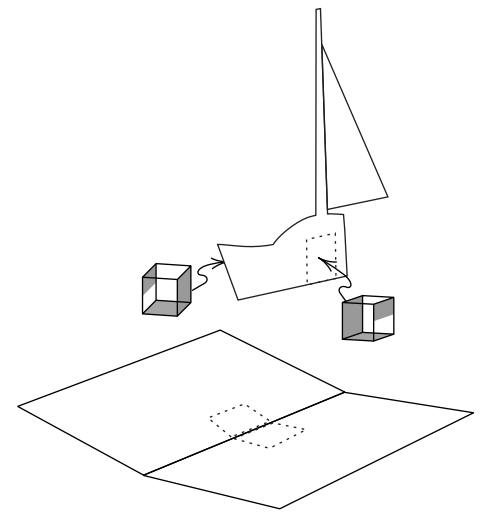
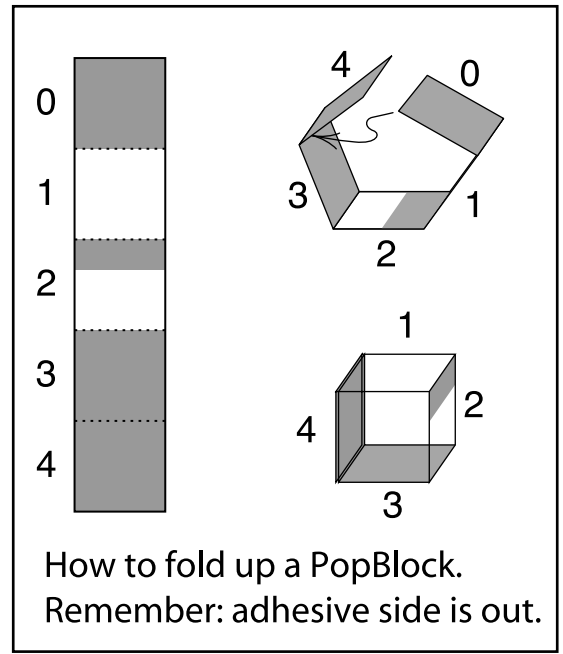
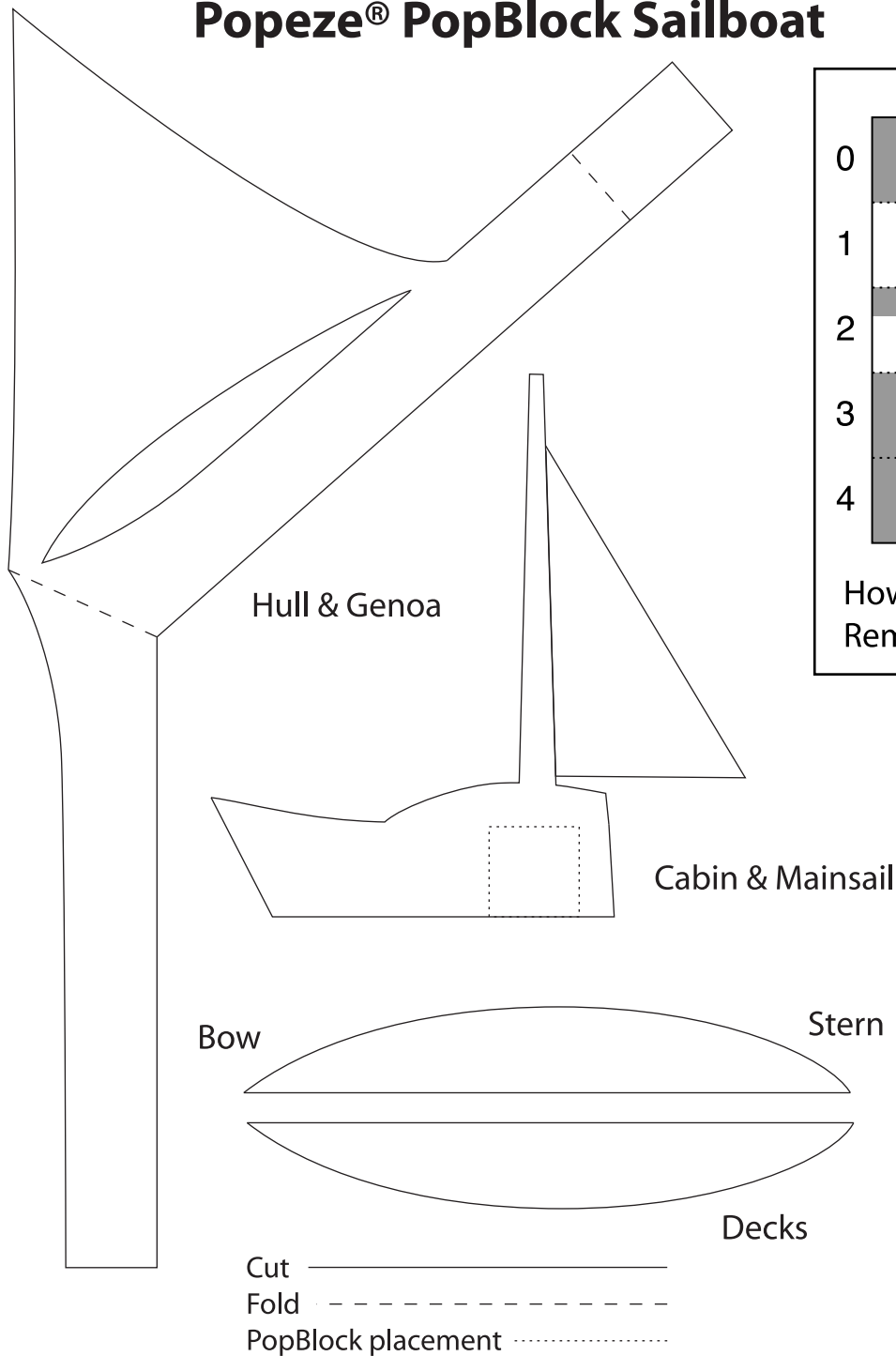


Fig. #1

For this project you will need 2 Popeze® PopBlocks, a copy of this sheet printed on card stock and a card.

- 1) Cut out all three parts: Hull & Genoa, Cabin & Mainsail and Decks.
- 2) Peel 2 PopBlocks from sheet and fold them up.
- 3) Place one PopBlock on each side of Cabin & Mainsail piece at the spot shown.
- 4) Attach with PopBlock side #4 against Cabin and Side #3 on bottom. Fig. #1
- 5) Place Cabin & Mainsail piece in the fold of the card. Fig. #1
- 6) Fold along dashed lines on Hull piece. Make a loop out of Hull by attaching overlapping stern section with double stick adhesive.
- 7) Starting at the bow wrap hull around and attach to #2 side of each PopBlock.
- 8) With double stick adhesive attach Deck pieces to #1 side of each PopBlock.

